

K- Blue Assignments Week 2 FID (March 27-April 3)

Religion

Chapt. 21 – Light is Good – Read and discuss each page.

Complete p. 122, - Jesus Our Light is Good

Math – Practice addition and subtraction math facts to 5

(Study paper is attached.)

Look for & draw a picture of 3D shapes in your house –
sphere, cylinder, cube, cone, rectangular prism (box)

Reading/Language Arts

Review sight words,

Write 3 words for the word families, /op/, /ot/, /at/, /an/, /ag/
/in/, /it/, /ig/

Cut and Paste the link below to complete Readers Notebook
pages 36 & 37. These pages cannot be printed. Review them
orally with your child.

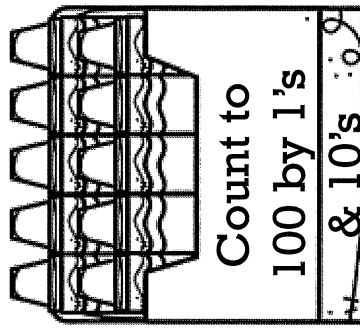
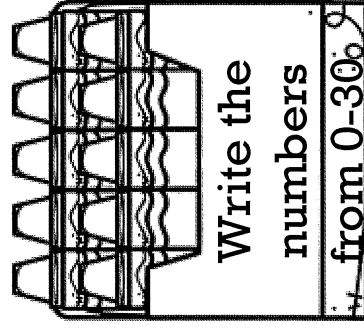
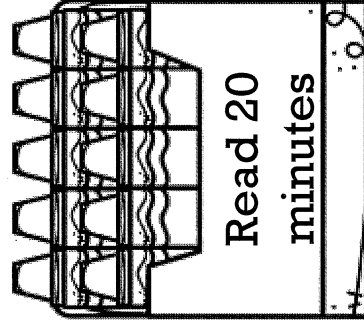
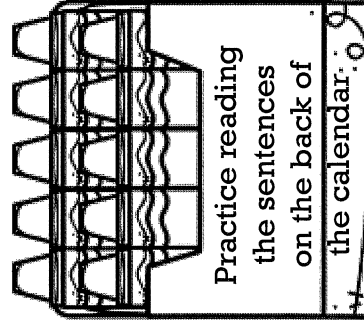
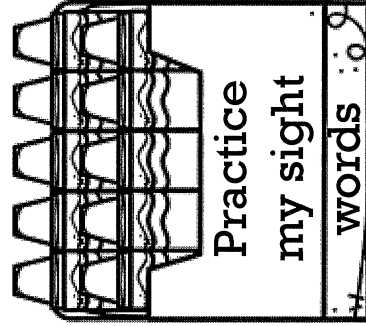
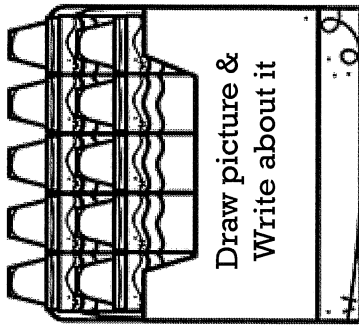
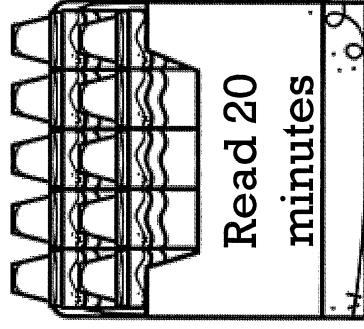
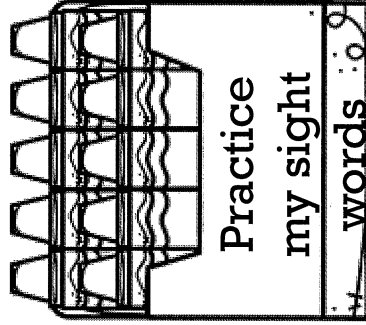
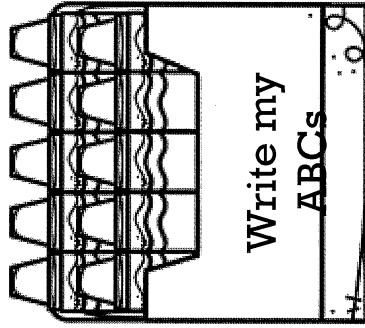
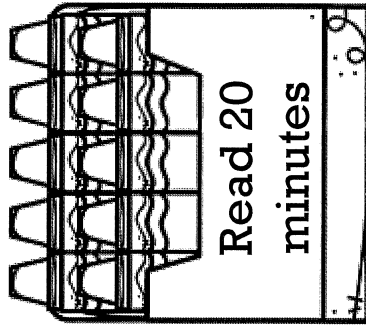
<https://geneseoschools.org/careerconnections/wp-content/uploads/2018/01/Journeys.pdf>

- Complete the “At Home Learning and Practice Paper (paper is attached)
- Complete activities on the March Home Activity Calendar. (Calendar is attached)

AT HOME LEARNING & PRACTICE

Please help your child complete these items at home each week.

Color a crayon box each time you finish it.



Week of March 30

Name _____

$2 + 2 = \underline{\quad}$

$2 + 1 = \underline{\quad}$

$3 + 1 = \underline{\quad}$

$2 + 3 = \underline{\quad}$

$1 + 0 = \underline{\quad}$

$4 + 0 = \underline{\quad}$

$2 + 0 = \underline{\quad}$

$3 + 2 = \underline{\quad}$

$3 + 0 = \underline{\quad}$

$4 + 1 = \underline{\quad}$

$5 + 0 = \underline{\quad}$

$1 + 1 = \underline{\quad}$

$1 + 2 = \underline{\quad}$

$1 + 4 = \underline{\quad}$

$1 + 3 = \underline{\quad}$

$4 - 0 = \underline{\quad}$

$4 - 2 = \underline{\quad}$

$4 - 1 = \underline{\quad}$

$4 - 4 = \underline{\quad}$

$5 - 5 = \underline{\quad}$

$5 - 1 = \underline{\quad}$

$5 - 2 = \underline{\quad}$

$5 - 3 = \underline{\quad}$

$3 - 2 = \underline{\quad}$

$3 - 3 = \underline{\quad}$

$3 - 0 = \underline{\quad}$

$3 - 1 = \underline{\quad}$

$2 - 0 = \underline{\quad}$

$2 - 1 = \underline{\quad}$

$2 - 2 = \underline{\quad}$

$1 - 0 = \underline{\quad}$

$1 - 1 = \underline{\quad}$

$5 - 4 = \underline{\quad}$

$4 - 3 = \underline{\quad}$

$5 - 0 = \underline{\quad}$